



### High quality edge-lit exit sign utilising advanced energy saving cold cathode technology.

- CCFL long life expectancy - over 50,000 hours (4 years maintenance free)
- 40% energy savings compared to 8 W T5 tubes
- White, silver and black colour options
- Intelligent Self-Test as standard
- Range of mounting accessories
- Designed & manufactured to meet the requirements of BS EN 60598.2.22 (Kitemark KM13139)
- Order base unit, legend and mounting accessory (see page 53) separately



## Base unit

Order Code	Input Voltage	Lamp Type	Power Consumption	Operation / Duration (hrs)	Recharge Period	Colour	Environment	Weight
EM3-001	230 Vac, 50 Hz	CCFL	0.04 A	M3	24 hours	White	0 - 25 °C	1.4 kg
EM3-002	230 Vac, 50 Hz	CCFL	0.04 A	M3	24 hours	Black	0 - 25 °C	1.4 kg
EM3-003	230 Vac, 50 Hz	CCFL	0.04 A	M3	24 hours	Grey	0 - 25 °C	1.4 kg

For AC/AC or AC/DC slave units please refer to our EMEX Central Power Supply Systems Catalogue.

## Legends

### Single sided



### Double sided



ESS012

ESS010

ESS011

ESS013

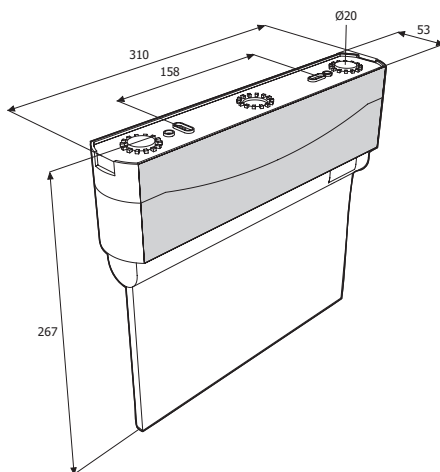
EDS020

EDS021

EDS022

Legends are screen printed polycarbonate.

## Dimensions



For accessory drawings, see pages 87 - 88.

For further information on Centrel emergency luminaire testing format, see pages 70 - 71 or contact Emergi-Lite.

**Horizontal mounting EMH**



An attachment is available which allows the luminaire to be mounted horizontally with the sign-plate hanging vertically. This kit consists of a reflector to redirect light to the sign-plate, an alternative sign-plate cover and screws to secure the sign-plate. Ideal for use above doors where space is limited.

Order Code	Description	Trim Colour
EMH-001	Horizontal	
EMH-002	Horizontal	
EMH-003	Horizontal	

**Recessed mounting EMF**



Comprising a recessing cage, trim plate and fasteners. The recessing cage has side wings that are used to secure the cage to the ceiling. The luminaire is installed by simply pressing it into place and replacing the cover.

Order Code	Description	Trim Colour
EMF-001	Recessing kit	
EMF-002	Recessing kit	
EMF-003	Recessing kit	

**Wall Brackets EMV**



The bracket moulding features a ratchet detail allowing the sign to be angled at virtually any angle to the wall, including parallel and perpendicular mountings.

Order Code	Description	Trim Colour
EMV-001	Wall bracket	
EMV-002	Wall bracket	
EMV-003	Wall bracket	

**Wire suspension EMS**



The wire suspension kit includes an adjustment device and clutch mechanism through which the wire is pulled until the desired length is reached. Excess wire can then be cut away. The cut end does not enter the first-fix plate so cannot chafe wiring or compromise safety.

Variable wiring length makes this version suitable for angled mounting surfaces.

Order Code	Description	Trim Colour
EMS-001	Adjustable wire suspension kit	
EMS-002	Adjustable wire suspension kit	
EMS-003	Adjustable wire suspension kit	

**Rod suspension EMR**



Rod suspension kits are available for heights of 0.3, 0.5 and 1 metre.

Order Code	Description	Trim Colour
EMR300-001	0.30 m rod suspension kit	
EMR300-002	0.30 m rod suspension kit	
EMR300-003	0.30 m rod suspension kit	
EMR500-001	0.50 m rod suspension kit	
EMR500-002	0.50 m rod suspension kit	
EMR500-003	0.50 m rod suspension kit	
EMR1000-001	1 m rod suspension kit	
EMR1000-002	1 m rod suspension kit	
EMR1000-003	1 m rod suspension kit	

ELPC-0410