



Decorative luminaire.

- Suitable for hallways and stairwells in both modern and traditional settings
- 28 Watt 2D standard or 38 Watt 2D high power luminaire
- Smooth opal snap-fit diffuser
- Zinc coated steel luminaire body
- White trim available as standard with optional finishes in chrome or brass
- Designed and manufactured to meet the requirements of BS EN 60598.2.22



28 W only



Luminaire

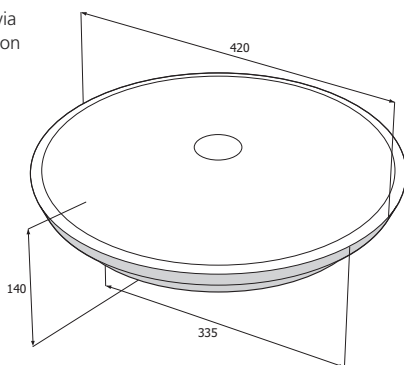
Order Code	Input Voltage	Lamp Type	Power Cons. Mains/ Self-contained	Lamp Output Mains/ Self-contained	Operation / Duration (hrs)	Recharge Period	Environment	Weight
OPC28NM	230 - 240 Vac, 50 Hz	28 W 2D	0.2 A / 0.25 A	1800 / 250 lumens	NM3	24 hours	0 - 25 °C	4.0 kg
OPC28M	230 - 240 Vac, 50 Hz	28 W 2D	0.2 A / 0.25 A	1800 / 250 lumens	M3	24 hours	0 - 25 °C	4.7 kg
OPC28PHF	230 - 240 Vac, 50 Hz	28 W 2D	0.2 A / -	1800 / 250 lumens	230 V	-	0 - 25 °C	3.3 kg
OPC38M	230 - 240 Vac, 50 Hz	38 W 2D	0.25 A / 0.25 A	2650 / 370 lumens	M3	24 hours	0 - 25 °C	4.0 kg
OPC38PHF	230 - 240 Vac, 50 Hz	38 W 2D	0.25 A / -	2650 / 370 lumens	230 V	-	0 - 25 °C	3.3 kg

Trim options

Order Code	Description
Suffix BR	Brass trim
Suffix CH	Chrome trim

Dimensions

Cable entry via 20 mm hole on rear of unit.



Ceiling cutout 370 mm when semi-recessing.

Accessories

Order Code	Description
OPCBZ370	Semi-recessing bezel kit in white

For Opera spacing data, see page 83.
For further information on IR2 and Self-Test emergency luminaire testing formats, see pages 72 - 74 or contact Emergi-Lite.