

Serenga Sun-Lite downlighters

Serenga Sun-Lite recessed LED downlighters offer designers and architects tremendous scope to include simple, unobtrusive general or object-specific emergency lighting into the design scheme.

Three formats are available: **SER-DW**, designed for escape route use, with optional optimised lenses for enhanced light spread; **SER-DA**, for open area installation and **SER-DS** single LED unit for highlighting 'points of emphasis' such as fire call points, hoses, etc.

General illumination is provided by two angled LEDs housed in a disc shaped unit and connected to a separate control module with battery. LED light sources offer increased longevity, with power consumption some 25% less than comparable 8wT5 fluorescent systems, providing excellent value to the designer seeking a low maintenance, low operating cost solution.

Self-Test functionality is included as standard, with visual fault reporting from two LED indicators in the disc face.



SER-DW downlighter



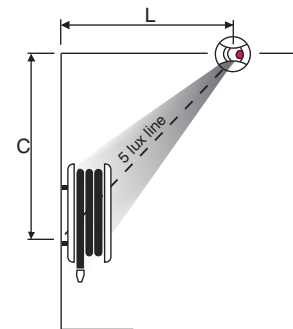
SER-DA downlighter

SPECIFICATION

ELECTRICAL & OPERATIONAL	SELF-CONTAINED
Input voltage	200 – 240V AC/DC
Duration	3 hours
Battery	High temperature nickel metal hydride (NiMH)
Indicators	Charge: green LED, Fault: amber LED
Operation	Maintained, switch maintained or non-maintained
Recharge period	24 hours
BLF	100% on mains failure
Lamp	1W, 1 or 2 high power LEDs
Lamp o/p (lumens)	45 lumens per LED
Lamp life	50k hours, 70% light output
Power consumption	1 LED: 4.4w/10.3VA 2 LED: 5.5w/12.7VA
Power consumption (slave)	1LED : 2.38W/4.8VA 2LED: 3.68W/7.63VA AC

CONSTRUCTION & INSTALLATION

Construction	Downlighter: Polycarbonate, white & grey. Optional clear clip-on IP40 cover included. Module enclosure: Polyamide, white & grey
Insulation class	II
Environment	0 – 40°C
Ingress class	Downlighter fixture without cover: IP30, with cover: IP40
Dimensions Ø (mm)	Downlighter: 143 (to suit 5-20mm false ceiling thickness)
Electronic Module fit	Through a 68mm hole, with a minimum deck head height of 125mm
Weight (kg)	Downlighter: 0.07, module enclosure: 0.37
Product standard/Approvals	Designed & manufactured to meet the requirements of BS EN 60598.2.22. ENEC certified



Spotlight: 5 lux on centre of object
Centre object to ceiling (C) Luminaire to wall (L)

0.5	0.2
1.0	0.6
1.5	0.9
2.0	1.3
2.5	1.6
3.0	2.0
3.5	2.3
4.0	2.6

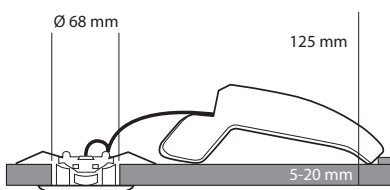
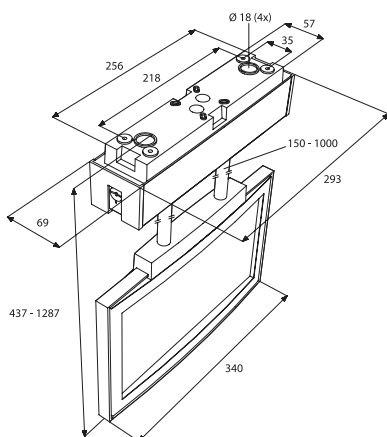
Distances in metres

SPACING DATA TABLE

SER-DA Open area model				SER-DW Escape route model			
Mount height (m)	Lgt lev (lux)	Diagram		Mount height (m)	Lgt lev (lux)	Diagram	
2.5	0.5	3.0	6.1	2.5	1.0	3.7	8.5
3.0	0.5	3.2	6.4	3.0	1.0	3.9	9.1
4.0	0.5	3.1	6.3	4.0	1.0	4.5	11.2
5.0	0.5	2.9	5.8	5.0	1.0	4.1	9.5

Spacing: escape routes
Distances in metres

Serenga order codes



Self contained control module in situ

Serenga Escape luminaire

STANDARD ORDER CODE DESCRIPTION

ELECTRONIC CONTROL MODULE

SER-M3-003	Self-contained control module, Self-Test
-------------------	------------------------------------------

LED LIGHT SOURCE FRAMES

SER-FB2	Back-lit curved face smart-frame 2 X 1 watt LED
SER-FB4	Back-lit curved face smart-frame 4 X 1 watt LED
SER-FE2D	Edge-lit normal face smart-frame 2 X 1 watt LED
SER-FE4D	Edge-lit curved face smart-frame 4 X 1 watt LED
SER-FS2D	Back-lit double sided curved face smart-frame 2 X 1 watt LED
SER-FS4D	Back-lit double sided curved face smart-frame 4 X 1 watt LED

SCREEN PRINTED LEGEND PANEL FOILS (CURVED FACE)

For single sided use a blank backing foil supplied with light frame as standard

SER-SC010	Arrow left
SER-SC011	Arrow right
SER-SC012	Arrow down
SER-SC013	Arrow up
SER-SCN10-PK	10 pack assorted

SCREEN PRINTED LEGEND PANEL FOILS (NORMAL FACE)

For single sided use a blank backing foil supplied with light frame as standard

SER-SN010	Arrow left
SER-SN011	Arrow right
SER-SN012	Arrow down
SER-SN013	Arrow up

ACCESSORIES

SER-BZKIT	Recess kit
SER-RKIT150	Rod suspension kit (150mm)
SER-RKIT300	Rod suspension kit (300mm)
SER-RKIT500	Rod suspension kit (500mm)
SER-RKIT1000	Rod suspension kit (1,000mm)

Serenga Sun-Lite Downlighters

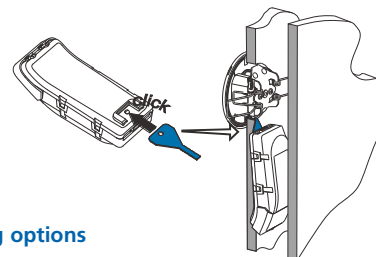
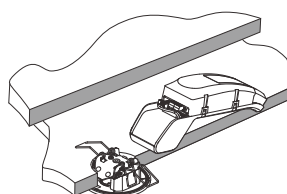
STANDARD ORDER CODE DESCRIPTION

SER-DS-RM3	LED Downlighter, spot version, Self-Test
SER-DW-RM3	LED Downlighter, escape route version, Self-Test
SER-DA-RM3	LED Downlighter, open area version, Self-Test

ACCESSORIES

SER-DBZ5-AL	Trim bezel aluminium – pack of 5
SER-DBZ5-BR	Trim bezel brass – pack of 5
SER-DBZ5-SI	Trim bezel silver – pack of 5

Diameter: 92mm, hole cut out 68mm, through a false ceiling thickness of 5-20mm



Ceiling or wall mounting options